

INSTRUCTION SHEET

MW SERIES

TOP INSTALLATION

Thank you for purchasing the MW Series Top. Please read these instructions thoroughly before installing this product.

PRODUCT FEATURES

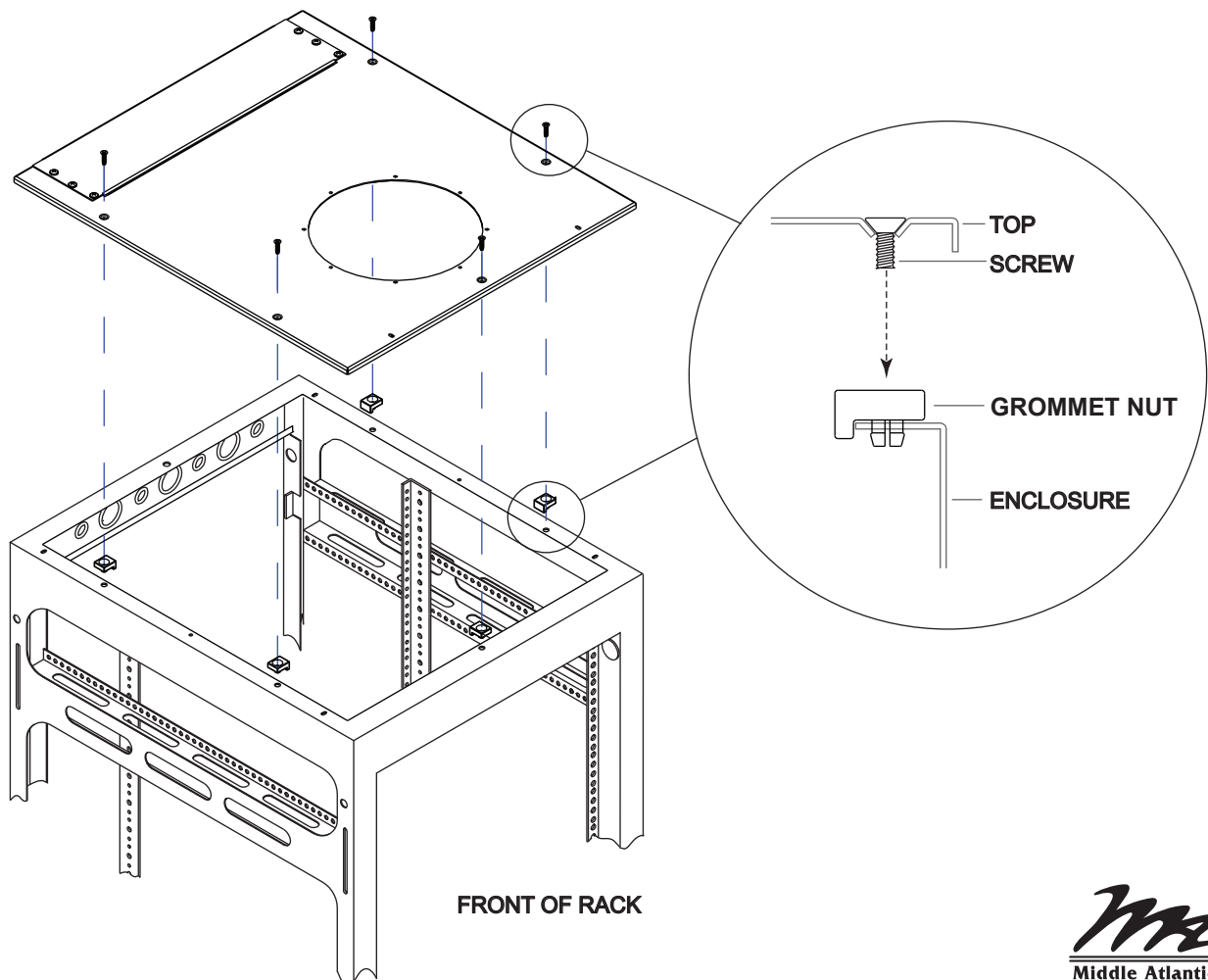
- Two space removable aluminum access panel allows for top removal without disturbing cabling.
- Removable aluminum panel allows for easy field drilling.

TOOLS REQUIRED: #2 Phillips Driver

INSTALLATION

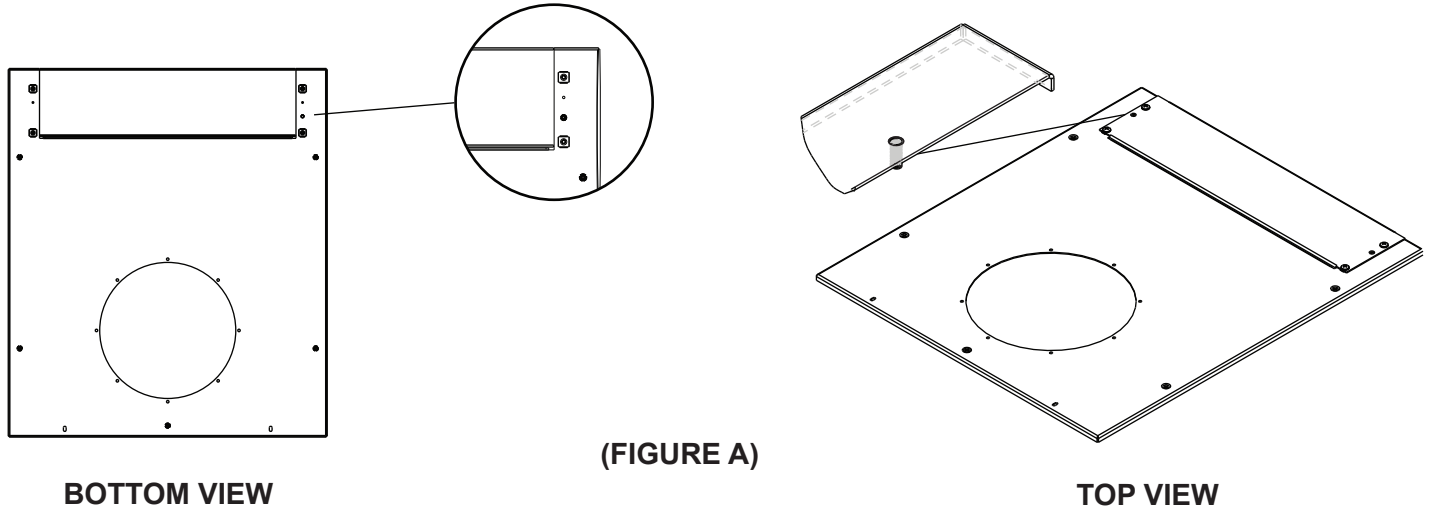
- 1) Install the grommet nut into the five (5) holes in the enclosure as shown.
- 2) Position the top as required. Thread all screws evenly then tighten the screws securely - **DO NOT OVERTIGHTEN.**

NOTE: For MW Series Top bonding, and bonding of the two space panel to the MW top, see page 2.



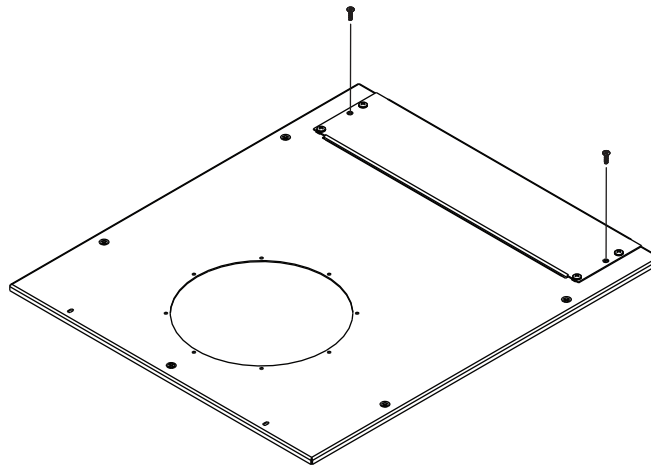
BONDING OF MW TOP

- The MW top can be bonded with the factory installed bonding stud. **(FIGURE A)**



BONDING THE TWO SPACE PANEL

- The two space panel can be bonded to the top using the two provided 6/32 X 5/16 star screws using a T-10 star wrench. **(FIGURE B)**



(FIGURE B)

WARRANTY

Middle Atlantic Products, Inc. (the "Company") warrants the MW Series Top to be free from defects in material or workmanship under normal use and conditions for a period of (3) three years from date of shipment by the company.

The Company's entire liability to the purchaser, and the purchaser's (or any other party's) sole and exclusive remedy, under this warranty shall be limited, at the Company's option, to either (a) return of and refund of the price paid for, or (b) repair or replacement at the Company's factory of the products purchased, or any part or parts thereof, which the Company has determined to be defective after inspection thereof at the Company's factory. This warranty does not cover damage due to acts of God, accident, misuse, abuse or negligence by parties other than the Company, or any modification or alteration of the products. In addition, this warranty does not cover damage due to improper handling, assembly, installation or maintenance.

THIS WARRANTY IS IN LIEU OF ALL OTHER WARRANTIES OF ANY KIND, EITHER EXPRESSED OR IMPLIED, INCLUDING, BUT NOT LIMITED TO, IMPLIED WARRANTIES OF MERCHANTABILITY AND FITNESS FOR A PARTICULAR PURPOSE.

TO THE MAXIMUM EXTENT PERMITTED BY APPLICABLE LAW, IN NO EVENT SHALL THE COMPANY BE LIABLE FOR ANY SPECIAL, INCIDENTAL, INDIRECT, OR CONSEQUENTIAL DAMAGES WHATSOEVER (INCLUDING, WITHOUT LIMITATION, DAMAGES FOR LOSS OF BUSINESS PROFITS, BUSINESS INTERRUPTION OR ANY OTHER PECUNIARY LOSS) ARISING OUT OF THE USE OF THE PRODUCTS PURCHASED, EVEN IF THE COMPANY HAS BEEN ADVISED OF THE POSSIBILITY OF SUCH DAMAGES. THE COMPANY'S LIABILITY TO THE PURCHASER (OR ANY OTHER PARTY) HEREUNDER, IF ANY, SHALL IN NO EVENT EXCEED THE PURCHASE PRICE OF THE PRODUCTS PAID TO THE COMPANY.

Corporate Headquarters

Corporate Voice 973-839-1011 - Fax 973-839-1976 / International Voice +1 973-839-8821 - Fax +1 973-839-4982
middleatlantic.com - info@middleatlantic.com

Middle Atlantic Canada

Voice 613-836-2501 - Fax 613-836-2690 / middleatlantic.ca - customerservicecanada@middleatlantic.ca

Factory Distribution

USA: NJ - CA - IL Canada: ON - BC

At Middle Atlantic Products we are always listening. Your comments are welcome.

Middle Atlantic Products is an ISO 9001 and ISO 14001 Registered Company.



30% Recycled Paper